



# AEH

Duct Type Electrical Heater

## Description

The AEH type heater units are designed for use with rectangular ducts.

## Properties

AEH type heater units are used as a pre-heating element in systems utilizing fresh air. The unit is manufactured from galvanized or stainless steel sheets, depending on the customer request. Electrical resistance heating elements are placed within the casing, in accordance with the heating capacity. There is a box on the body of the unit, in which controlling equipment is placed.

## Materials

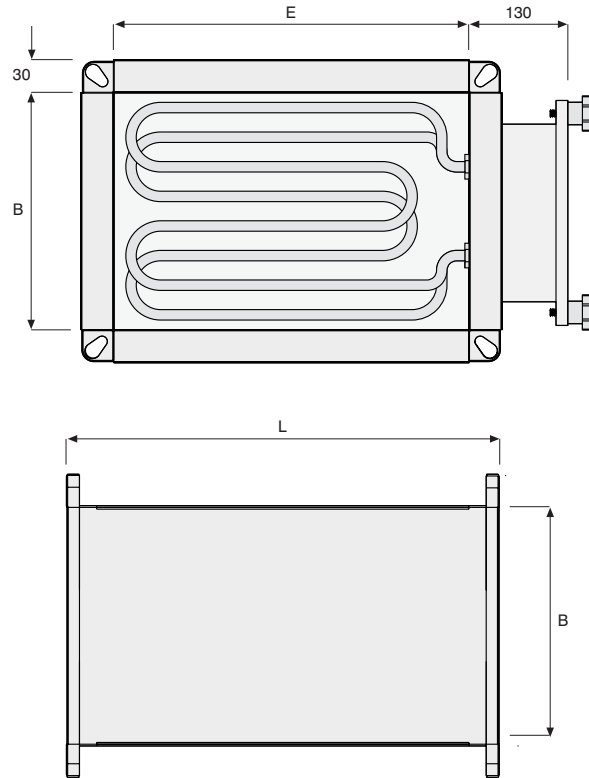
The body is manufactured from galvanized or stainless steel sheets, depending on the customer request. The electrical resistances are made of stainless materials.

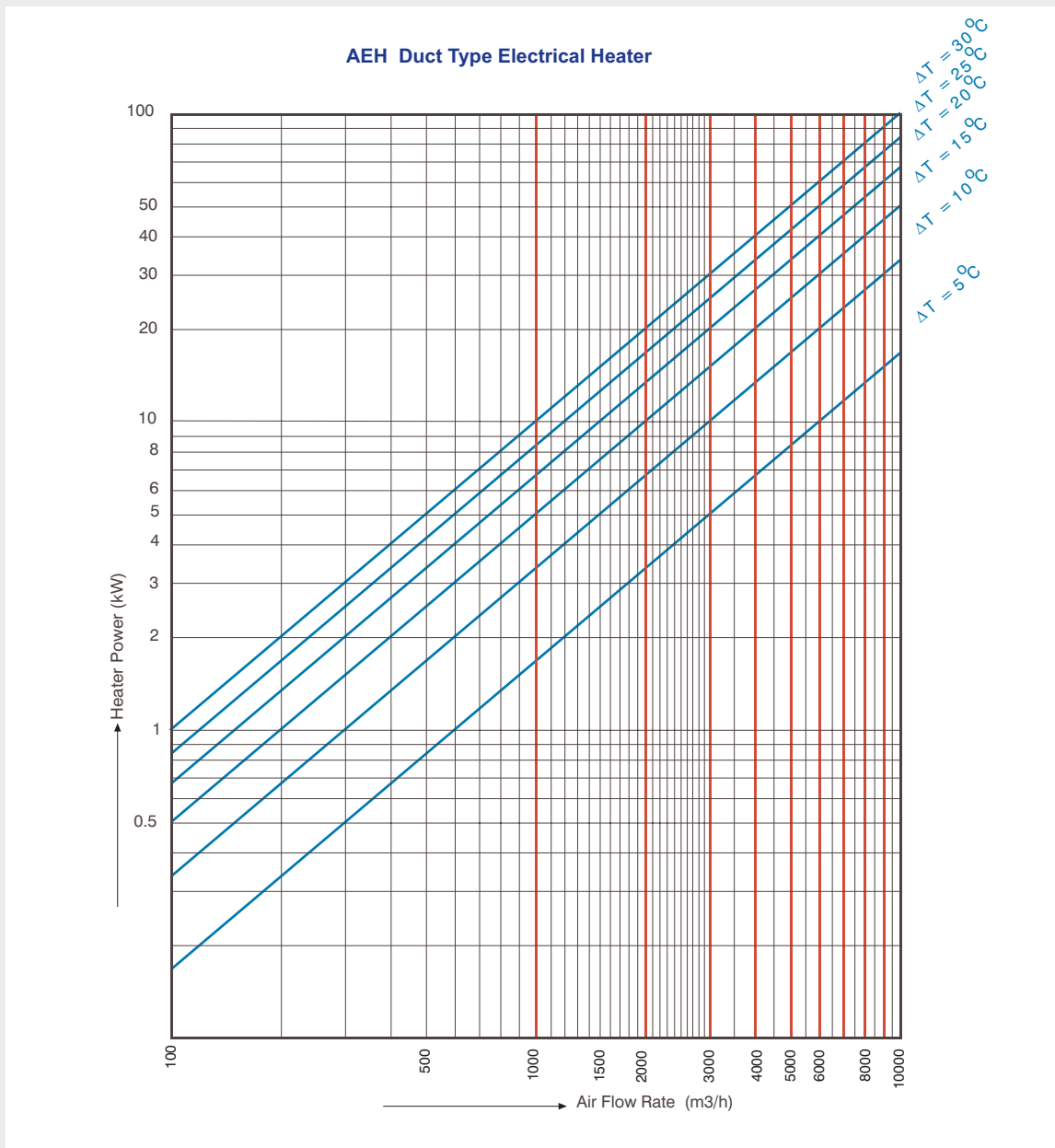
## Dimensions

### Standard Dimensions

E (mm)	B (mm)
200	200
250	250
300	300
350	350
400	400
450	450
500	500
550	550
600	600
800	800

The length (L) varies with the power of the heating element.





NOTE : Heater face velocity must be greater than 2m/s.  
If lower velocities are necessary, please contact our firm.

Pressure losses are greatly dependent on the number of rows. However, the table below is given for a typical 5-row heater, to give an idea about the approximate values:

Air velocity (m/s)	2	3	4	5	6	8	10
Approx. Pressure Loss (Pa)	5	12	19	30	43	75	100

### Specification Text

Rectangular duct type electrical heater. The body will be manufactured from galvanized or stainless steel sheets, depending on order request. The resistance element will be manufactured from stainless materials. The unit will have a box on its body, incorporating the control equipment. The body has standard 30 mm duct flange connections.

### Order Code

<b>Model</b>	<b>AEH.30.AA.00-300 x 300</b>	
<b>Flange</b>	30 mm	E x B (mm) Refer to page 2
<b>Accessories</b>	AA .....Stainless steel AB .....Galvanized steel	<b>Standard Dimensions</b>

**A**

**AEH**

**Duct Type  
Electrical Heater**

**KES KLİMA**

INDUSTRIAL AND TRADE CO.

Uzay Çağı Caddesi No:10  
06370 Östim/ANKARA  
Phone: +90.312.385 76 57  
Fax : +90.312.354 12 31  
[www.kesklima.com](http://www.kesklima.com)



TÜV Rheinland Group



DIN EN ISO 9001:2000  
Zertifikat: 01 100 042854